



Precision 3260 XE Compact

OEM XE, OEM-Ready & OEM Industrialized A powerful, yet affordable workstation in an ultra small form factor.

Dell Technologies is the world's number one workstation company*

*Based on IDC Workstation Tracker, Q2 CY 23.

3260 XE Compact

DOEM XE

Sharpen your competitive edge. Focus on innovation versus technology churn with a ninemonth managed product transition with static CPU stability and six months in-advance visibility to key component changes.

OEM Ready

Expand your presence and create an optimal customer experience fast with tier-1, globally available, unbranded hardware and software right off the shelf that you can easily rebrand with your own logo.

OEM Industrialized

Tackle compute at the edge with industrial-grade durability and industry certifications, right out of the box, for those unique and tough jobs beyond the desktop and data center.



OEM equipped

Meeting OEM requirements off-the-shelf with OEM-Ready, unbranded platforms, OEM XE longevity, stability and visibility and OEM Industrialized attributes with extended operating temperatures* making it an ideal edge solution.

Improved performance

Up to Intel® Core™ i9, 16 (8P+8E) (65W); 64GB RAM (4800MHz) DDR5, ECC options; up to NVIDIA RTX A2000 (12GB) graphics; Scalable storage, up to 9TBs / RAID support; PCIe Gen 4; Dell Optimizer for Precision; Advanced thermals.

Mission critical reliability and sustainability

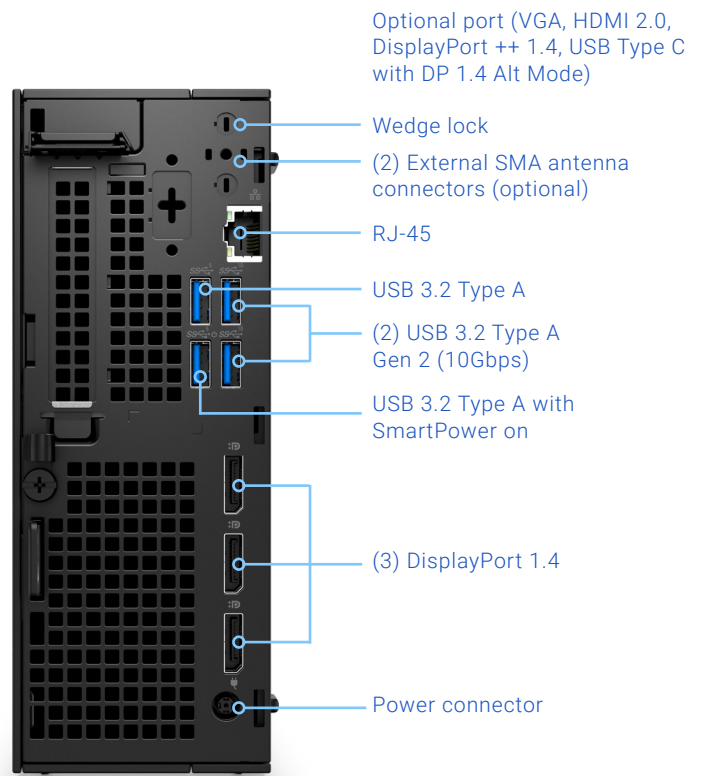
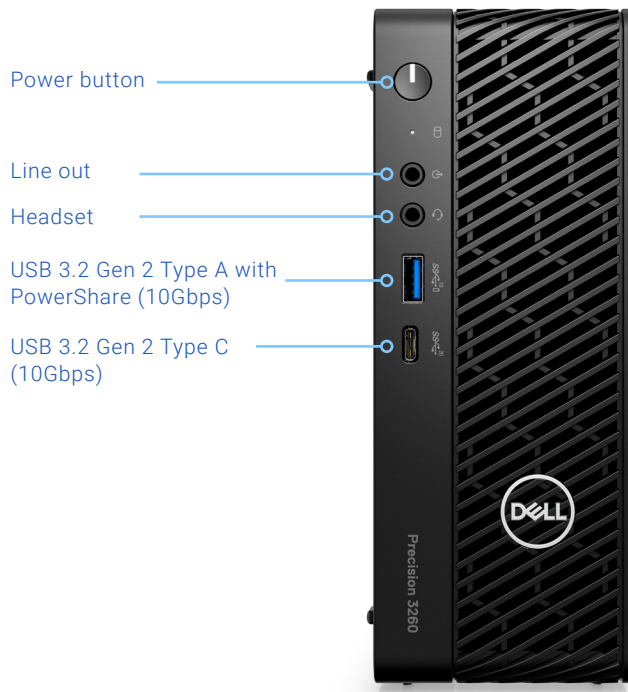
Reliable Memory Technology Pro comes with ECC memory, MIL-STD tested for reliability. EPEAT Gold registered with packaging made from 87% recycled or renewable material.

Vertical industry ready

Ideal for use in industrial automation for computer vision given its compact size and high-end graphics capabilities to support high frame-rate camera for quality control on assembly lines and other industrial uses. Given its OEM industrialized extended operating temperatures*, this platform is extremely useful in industrial environments, with many cross-vertical uses. It can also be used in such industries as Medical, Video, Healthcare.

Amplify your productivity.

Scale performance to meet your highest requirements, deliver projects with record speeds, while fitting more iterations within your project timelines.



▶ [Click here to view 360° product demo.](#)

FEATURE	TECHNICAL SPECIFICATION
MODEL NUMBER¹	Precision 3260 XE Compact
PROCESSOR OPTIONS^{16,24}	13 th Generation Intel® Core™ i9-13900 vPro®, 36 MB cache, 24 cores (8+16), 2.0 GHz to 5.6 GHz, 65W 13 th Generation Intel® Core™ i7-13700, 30 MB cache, 16 cores (8+8), 2.1 GHz to 5.2 GHz, 65W 13 th Generation Intel® Core™ i5-13500, 24 MB cache, 14 cores (6+8), 2.5 GHz to 4.8 GHz, 65W 13 th Generation Intel® Core™ i3-13100, 12 MB cache, 4 cores (4+0), 3.4 GHz to 4.5 GHz, 60W 12 th Generation Intel® Core™ i9-12900, 30MB cache, 16 cores (8P+8E), 2.4GHz to 5.1GHz, 65W 12 th Generation Intel® Core™ i7-12700, 25MB cache, 12 cores (8P+4E), 2.1GHz to 4.9GHz, 65W 12 th Generation Intel® Core™ i5-12500, 18MB cache, 6 cores (6P+0E), 3.0GHz to 4.6GHz, 65W 12 th Generation Intel® Core™ i3-12100, 12MB cache, 4 cores (4P+0E), 3.3GHz to 4.3GHz, 60W
OPERATING SYSTEM¹⁶	Windows 11 Home, 64-bit Windows 11 Pro, 64-bit Windows 11 Pro National Academic, 64-bit Windows 11 Pro for Workstations, 64-bit Windows 10 Home, 64-bit Windows 10 Pro, 64-bit Windows 10 Pro National Academic, 64-bit Windows 10 IoT Enterprise 2019 LTSC (OEM only) Windows 10 Pro for Workstations, 64-bit Ubuntu® 22.04 LTS, 64-bit
MEMORY OPTIONS^{16,17,18}	8GB, 1 x 8GB, DDR5, 4800MHz, non-ECC, single-channel 16GB, 1 x 16GB, DDR5, 4800MHz, non-ECC, single-channel 16GB, 2 x 8GB, DDR5, 4800MHz, non-ECC, dual-channel 32GB, 1 x 32GB, DDR5, 4800MHz, non-ECC, single-channel 32GB, 2 x 16GB, DDR5, 4800MHz, non-ECC, dual-channel 64GB, 2 x 32GB, DDR5, 4800MHz, non-ECC, dual-channel 16GB, 1 x 16GB, DDR5, 4800MHz, ECC, single-channel 32GB, 1 x 32GB, DDR5, 4800MHz, ECC, single-channel 32GB, 2 x 16GB, DDR5, 4800MHz, ECC, dual-channel 64GB, 2 x 32GB, DDR5, 4800MHz, ECC, dual-channel.
BOOT DRIVES^{1,5}	M.2 2280, 512GB, PCIe NVMe Gen4 x4, SSD, Class 40 M.2 2280, 1TB, PCIe NVMe Gen4 x4, SSD, Class 40 M.2 2280, 2TB, PCIe NVMe Gen4 x4, SSD, Class 40 M.2 2280, 4TB, PCIe NVMe Gen4 x4, SSD, Class 40
STORAGE^{16,19}	2.5-inch, 500GB, 7200RPM, SATA, HDD 2.5-inch, 1 TB, 7200RPM, SATA, HDD 2.5-inch, 500GB, 7200RPM, SATA, HDD, Self-Encrypting, Opal 2.0, FIPS M.2 2230, 256GB, PCIe NVMe® Class 35 SSD M.2 2280, 512GB, PCIe NVMe® Class 40 SSD M.2 2280, 1TB, PCIe NVMe® Class 40 SSD M.2 2280, 2TB, PCIe NVMe® Class 40 SSD M.2 2280, 4TB, PCIe NVMe® Class 40 SSD M.2 2280, 512GB, PCIe NVMe® SSD, Self-Encrypting drive M.2 2280, 1TB, PCIe NVMe® SSD, Self-Encrypting drive
GRAPHICS	Intel® UHD Graphics 730 Intel® UHD Graphics 770 NVIDIA® T400, 2 GB GDDR6, low profile NVIDIA® T1000, 4 GB GDDR6, low profile NVIDIA® T1000, 8 GB GDDR6, low profile
DISPLAY (SOLD SEPARATELY)	Dell Collaboration 24 USB-C Hub Monitor - C2422HE Dell UltraSharp 24 Monitor - U2422H Dell commercial displays including E series, Professional P series, UltraSharp, and Collaboration monitors
CASE COLOR	Dell Standard Black, Resin
PRODUCTIVITY SW¹⁶	Microsoft Office 30-day trial Microsoft Office Home and Business 2021 Microsoft Office Professional 2021 Dell Optimizer for Precision Intel Unite® solution (optional) Microsoft Office Personal Non-Premium Dell Client Command Suite (DCCS) Dell PremierColor
SECURITY¹⁶	Certificate Based Authentication (CBA)/Authenticated BIOS Interface (ABI) McAfee® Small Business Security 30-day free trial Dell Encryption Personal Dell Encryption Enterprise Dell Encryption External Media Dell Data Protection BitLocker Manager (DDP BLM) Dell Trusted Device (SafeBIOS) Digital Device Identity and Secured Component Verification Secure BIOS Baseline Secured-core PC Support Assist for PCs Support Assist OS Recovery (Excalibur)

FEATURE	TECHNICAL SPECIFICATION
MODEL NUMBER¹	Precision 3260 XE Compact
WARRANTY^{20,21}	1-year basic warranty with on-site service after remote diagnosis 2-year basic warranty extension 3-year basic warranty extension 4-year basic warranty extension 5-year basic warranty extension 1-year ProSupport with Next Business Day on-site service 2-year ProSupport with Next Business Day on-site service 3-year ProSupport with Next Business Day on-site service 4-year ProSupport with Next Business Day on-site service 5-year ProSupport with Next Business Day on-site service 1-year ProSupport Plus for Client with Next Business Day on-site service 2-year ProSupport Plus for Client with Next Business Day on-site service 3-year ProSupport Plus for Client with Next Business Day on-site service 4-year ProSupport Plus for Client with Next Business Day on-site service 5-year ProSupport Plus for Client with Next Business Day on-site service
ACCIDENTAL DAMAGE SERVICES	1-year Accidental Damage Service 2-year Accidental Damage Service 3-year Accidental Damage Service 4-year Accidental Damage Service 5-year Accidental Damage Service
KEYBOARD¹⁶	Dell Pro Wireless Keyboard and Mouse - KM5221W
PORTS, SLOTS & CHASSIS	Front ports: USB 3.2 Gen 2x2 Capable Type-C® port USB 3.2 Gen 2 port with PowerShare Universal audio jack Re-tasking line-out/line-in audio port Rear ports: RJ45 Ethernet port USB 3.2 Gen 1 port USB 3.2 Gen 1 port with Smart Power On (2) USB 3.2 Gen 2 ports (3) DisplayPort 1.4a (HBR2) Optional port (PS/2 Serial/HDMI 2.0b/Displayport 1.4a (HBR3)/VGA/USB Type-C with DisplayPort Alt mode) Power adapter port Security-cable slot Padlock ring Half-height Gen4 PCIe x8 slot M.2 2230 slot for WiFi and Bluetooth card (2) M.2 2230/2280 slots for SSD SATA 3.0 slot for 2.5-inch hard drive Stands and mounts (sold separately): Dell AC Adapter Sleeve Mount - (180W/240W E5) Dell Compact All-in-One Stand - CFS22 Dell Dual Monitor Arm - MDA20 Dell Wall/Under-the-Desk VESA Mount with PSU Sleeve
DIMENSIONS & WEIGHT	U.S. Height: 7.48in. (190mm) Width: 2.82in. (71.80mm) Depth: 7.00in. (178mm) Weight (maximum): 4.49lbs. (2.03kg) Weight (minimum): 3.02lbs. (1.37kg) Rest of the world Height: 190mm (7.48in.) Width: 71.80mm (2.82in.) Depth: 178mm (7.00in.) Weight (maximum): 2.03kg (4.49lbs.) Weight (minimum): 1.37kg (3.02lbs.)
MULTIMEDIA¹⁶ (SOLD SEPARATELY IN MOST CASES)	Realtek Audio Controller - ALC3246-CG Dell Slim Soundbar - SB521A Dell Pro Wireless Headset - WL5022
CONNECTIVITY OPTIONS	Qualcomm WCN6856-DBS, 2x2 MIMO, 3571 Mbps, 2.4GHz/5GHz/6GHz, Wi-Fi 6E (WiFi 802.11ax), Bluetooth® 5.2 Intel® AX211, 2x2 MIMO, 2400 Mbps, 2.4GHz/5GHz/6GHz, Wi-Fi 6E (WiFi 802.11ax), Bluetooth® 5.2
POWER OPTIONS	180W AC adapter, 7.4mm barrel 240W AC adapter, 7.4mm barrel
REGULATORY AND ENVIRONMENTAL COMPLIANCE^{22,23}	Product Safety, EMC and Environmental Datasheets Dell Regulatory Compliance Home Page Dell and the Environment
CHIPSET	Intel® W680

FEATURE	TECHNICAL SPECIFICATION
MODEL NUMBER¹	Precision 3260 XE Compact
HARDWARE SECURITY	Kensington security-cable slot Padlock ring Chassis intrusion switch Chassis lock slot support Lockable cable covers Supply chain tamper alerts SafeID including Trusted Platform Module (TPM) 2.0 Smart card keyboard (FIPS) Microsoft 10 Device Guard and Credential Guard (Enterprise SKU) Microsoft Windows BitLocker Local hard drive data wipe through BIOS (Secure Erase) Self-encrypting storage drives (Opal, FIPS) Trusted Platform Module TPM 2.0 China TPM Intel Secure Boot Intel Authenticate SafeBIOS: includes Dell Off-host BIOS Verification, BIOS Resilience, BIOS Recovery, and additional BIOS Controls
SYSTEMS MANAGEMENT	Intel® Standard Manageability (ISM) non-vPro™ Intel® Endpoint Management Assistant No OOB Management AMT Enable/Disable through BIOS DASH (through AMT and ISM) OOB Remote BIOS Management and HDD Wipe Dell Command Integration Suite for SCCM (DCIS) Dell Command Intel® vPro™ Out of Band (DCIV) Dell Command Monitor (DCM) CIM configuration features BIOS Configuration through Dell Command Configure and Dell Command PowerShell Provider Dell Command Configure (DCC) AMT Configuration Dell Command Update (DCU) Dell Command Deploy (DCD)
STORAGE CONTROLLER	Intel Rapid Storage Technology Intel Management Engine (ME) 12.0 or later

* Up to 45°C operation with limited configurations.

** Available through Custom Factory Installation Only.

1 Based on Dell internal analysis of competitive PC performance software and applications. September 2021. Intelligent Privacy is available on select Dell systems and devices.

2 Available on Latitude 9000 and select 7000 series; Precision mobile workstations 7000 and select 5000 series. See product details for availability.

3 ExpressConnect available with Dell Optimizer software version 2.0 and onwards. Download the latest at <https://www.dell.com/support/home>.

4 Simultaneous multi-network connection (or Connection based teaming) is a new connectivity feature under ExpressConnect. It simultaneously sends and receives data and video traffic using two or more wired or wireless connections. Based on Dell internal analysis.

5 Best network selection based on signal strength, channel congestion, router type and others. Network suggestions based on user credentials.

6 ExpressResponse must be enabled in the Applications feature. DO learns how user uses the selected application(s) over several hours. Based on Dell testing using Sysmark 2018 benchmark on a Latitude system running productivity applications; and using performance evaluation benchmarks on Precision mobile workstations running ISV applications, March 2020. Improvement will vary based on product configuration, use, application and other factors.

7 User must input preferred apps first in order for them to be analyzed.

8 Based on a Forrester Study commissioned by Dell Technologies and Intel: "The Total Economic Impact of Dell's PC as a Service", November 2020 <https://www.delltechnologies.com/asset/en-us/solutions/business-solutions/industry-market/forrester-the-total-economic-impact-of-dells-pc-as-a-service.pdf>.

9 Based on a Forrester Total Economic Impact™ Study commissioned by VMware, "The Total Economic Impact™ of VMware Workspace ONE for Windows 10", September 2018. Results from interviews with VMware Workspace ONE customers and/or based on a 12,000-employee composite organization.

10 Based on a Principled Technologies test report, "Spend Less Time and Effort Troubleshooting Laptop Hardware Failures" dated April 2018. Testing commissioned by Dell, conducted in the United States. Actual results will vary. Full report: <http://facts.pt/L52XKM>.

11 Based on Principled Technologies Report commissioned by Dell Technologies, "Deliver pre-configured systems to end users faster with Dell Provisioning for VMware Workspace ONE", January 2019, comparing deployment using Dell Provisioning for Workspace ONE vs. traditional deployment. Results extrapolated to deployment of 1000 systems, a week represents seven full workdays. Actual results will vary.

12 Based on Dell Internal analysis, January 2019.

13 Based on Dell analysis, Jan 2021. 21% bioplastics in LCD coverlid.

14 EPEAT registered where applicable. EPEAT registration varies by country. See www.epeat.net for registration status by country.

15 Based on internal analysis November 2019.

16 Offering may vary by region. Some items may be available after product introduction. For complete details, refer to the Technical Guidebook published on www.dell.com/support.

17 System Memory and Graphics: Significant system memory may be used to support graphics, depending on system memory size and other factors.

18 4GB or Greater System Memory Capability: A 64-bit operating system is required to support 4GB or more of system memory.

19 Storage Option: GB means 1 billion bytes and TB equals 1 trillion bytes; actual capacity varies with preloaded material and operating environment and will be less.

20 Limited Hardware Warranty: For copy of Ltd Hardware Warranty, write Dell USA LP, Attn: Warranties, One Dell Way, Round Rock, TX 78682 or see www.dell.com/warranty.

21 On-site service after Remote Diagnosis: Remote Diagnosis is determination by online/phone technician of cause of issue; may involve customer access to inside of system and multiple or extended sessions. If issue is covered by Limited Hardware Warranty (www.dell.com/warranty) and not resolved remotely, technician and/or part will be dispatched, usually within 1 business day following completion of Remote Diagnosis. Availability varies. Other conditions apply.

22 Please refer to www.epeat.net for specific country registration rating and participation.

23 For complete listing of declarations and certifications, refer to the Dell Regulatory and Environmental Datasheet found in the Manuals section of Product Support information www.dell.com/support/home/us/en/19.

24 Select CPUs offered as XE stable component.